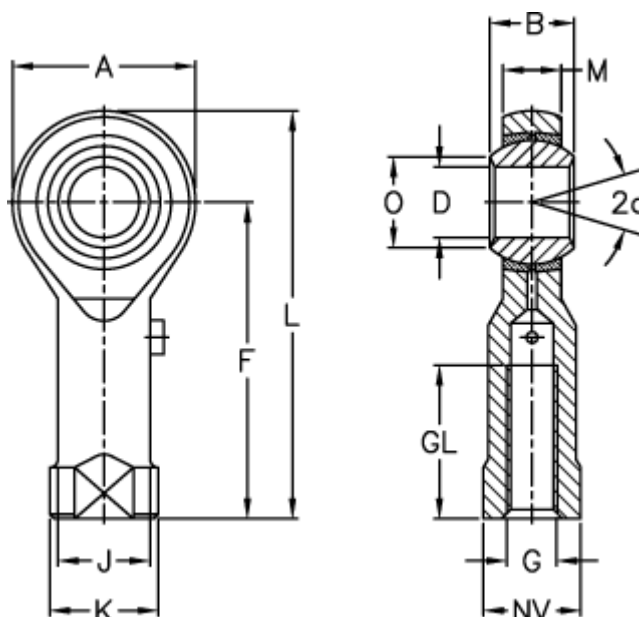


Article number: 54301317

Description: LDK Rod end PHS 17

Measures



| | | | |
|---------------------|-----------|---------------------|---------|
| A | = 40 | J | = 24.0 |
| a (degrees) | = 14 | K | = 31 |
| B | = 22 | L | = 87 |
| D | = 17 | M | = 16.00 |
| Dynamic load C (kN) | = 18.0 | NV | = 27 |
| F | = 67 | O | = 20.60 |
| g | = M16x1,5 | Static load C0 (kN) | = 39.7 |
| GL | = 34 | Weight (g) | = 259.0 |